



MSME- TECHNOLOGY CENTRE

CENTRAL INSTITUTE OF HAND TOOLS ,JALANDHAR

(Ministry of MSME, A Govt. of India Society)

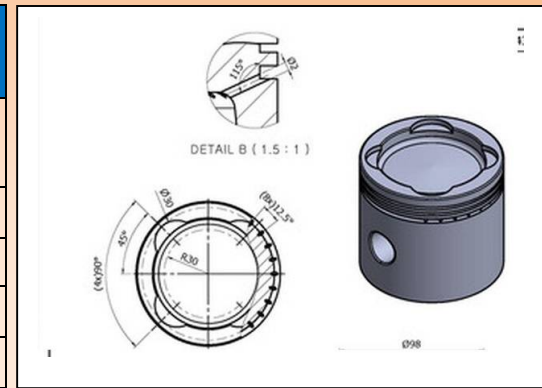
केंद्रीय हस्त औजार संस्थान, जालंधर
सूक्ष्म लघु एवं मध्यम उद्यम मंत्रालय



Course Name: Unigraphics

Course Code: MSME/UNI/79

| Course Content | Theory Hours | Practical Hours |
|---|--------------|-----------------|
| • Introduction to ug cad, sketcher & modification of sketches | - | 10 |
| • Solid modeling & editing | - | 22 |
| • Surface modeling & editing | - | 20 |
| • Assembly modeling | - | 20 |
| • Drafting | - | 24 |



Course Category: NSQF(Exempted)

Course Duration: 1Month/96 Hours

Fee: 11300/- For General/OBC Candidates

***No Fee for SC/ST Candidates**

Documents required for Admission

- 10th Certificate
- Aadhar card
- Sc/St Certificate
- 2 Passport Size Photograph

G.T Road, Bye Pass, Opposite Shaheed Bhagat Singh Colony Jalandhar City-144008 (Punjab), India

Website: WWW.CIHT.IN

FACEBOOK: MSME TC JALANDHAR

EMAIL:INFO@CIHT.IN

For more Information Contact: 9915466844, 9417863723, 7956832232, 7986123419, 7696181860.